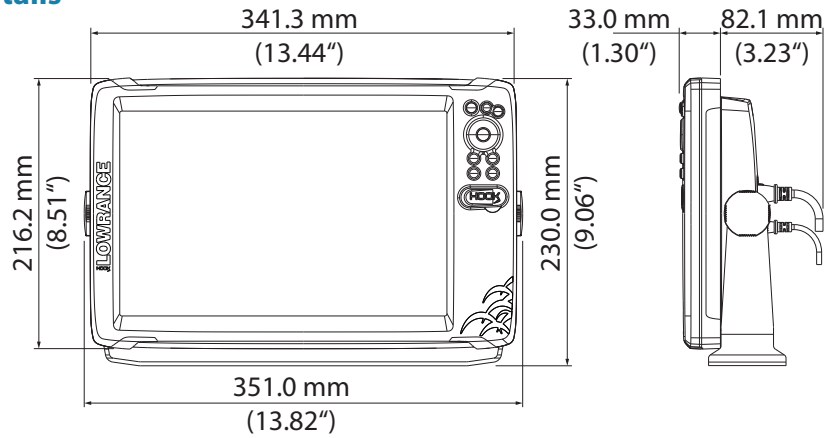


Details



Sunlight readable



-15°C to +55°C
+5°F to +131°F



2.06 Kg
4.53 lbs



1x card reader slot
Micro SD



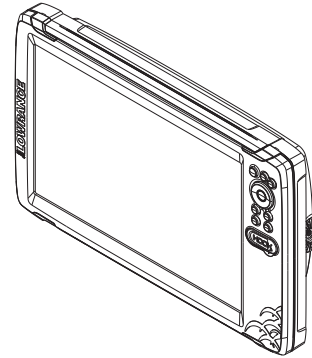
88°/88°, top/bottom
88°/88°, left/right



IPX6
IPX7

LOWRANCE®

HOOK² 12 INSTALLATION GUIDE

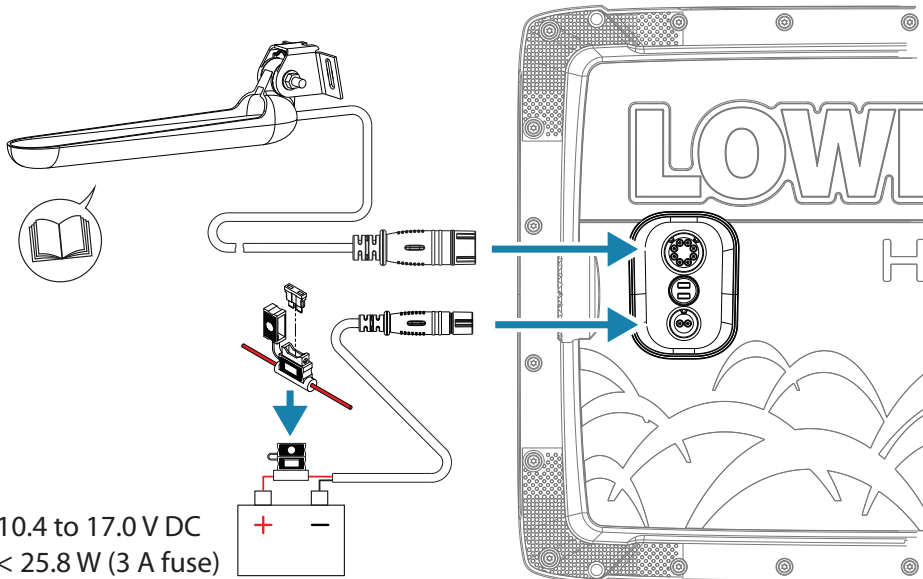


For product manuals, technical specifications, certificates and declarations refer to the product website:

www.lowrance.com



Wiring



10.4 to 17.0 V DC
< 25.8 W (3 A fuse)

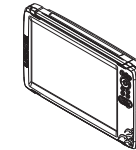
Parts included

1. Display unit
2. Bracket mounting kit
 - Bracket
 - 2x knobs
 - 4x screws, self-tapping #10 X 3/4 PN HD SS
3. Cable and fuse kit
 - Power cable
 - Fuse and fuse holder
4. Transducer
5. Document package

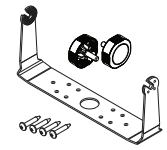
Accessories (sold separately)

- A. Sun cover
part no.: 000-14177-001
- B. Panel mounting kit
part no.: 000-14190-001

1.



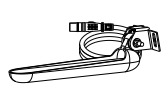
2.



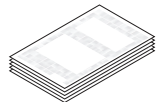
3.



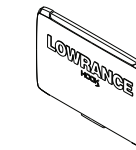
4.



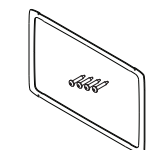
5.



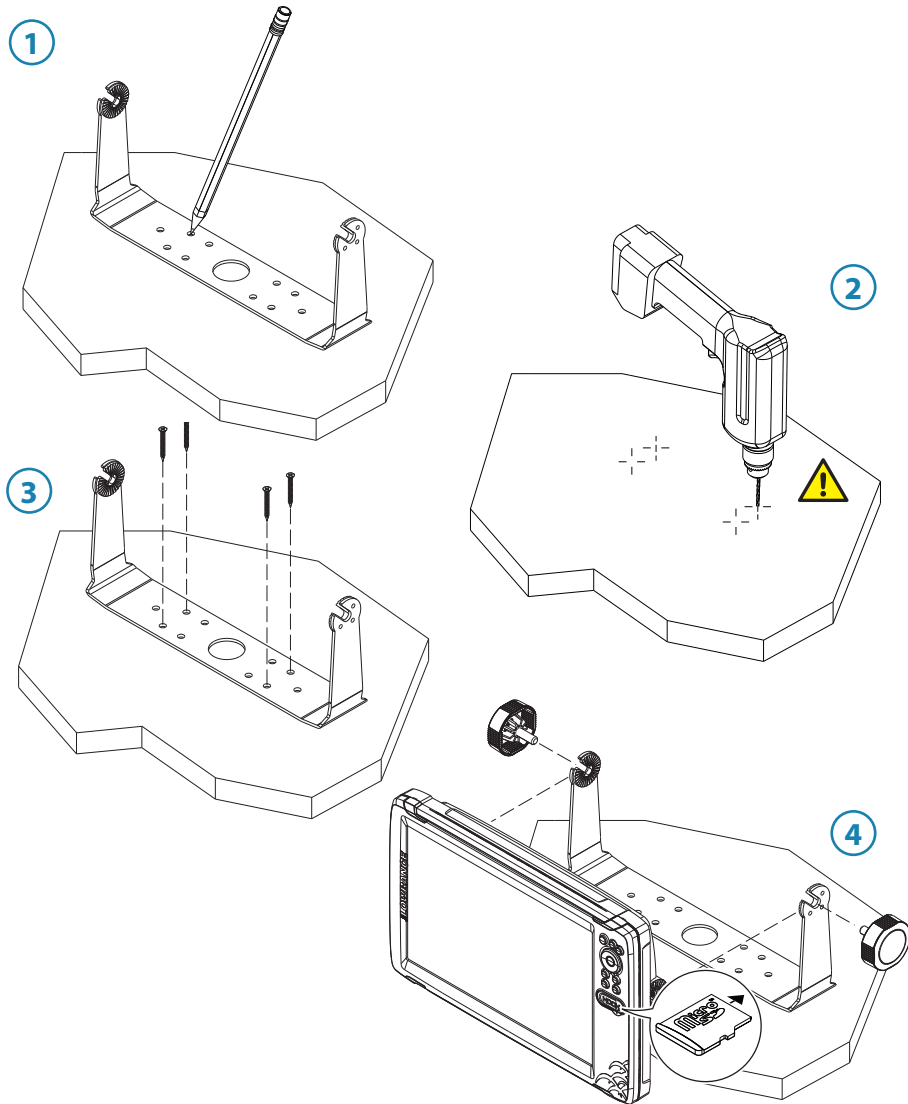
A.




B.



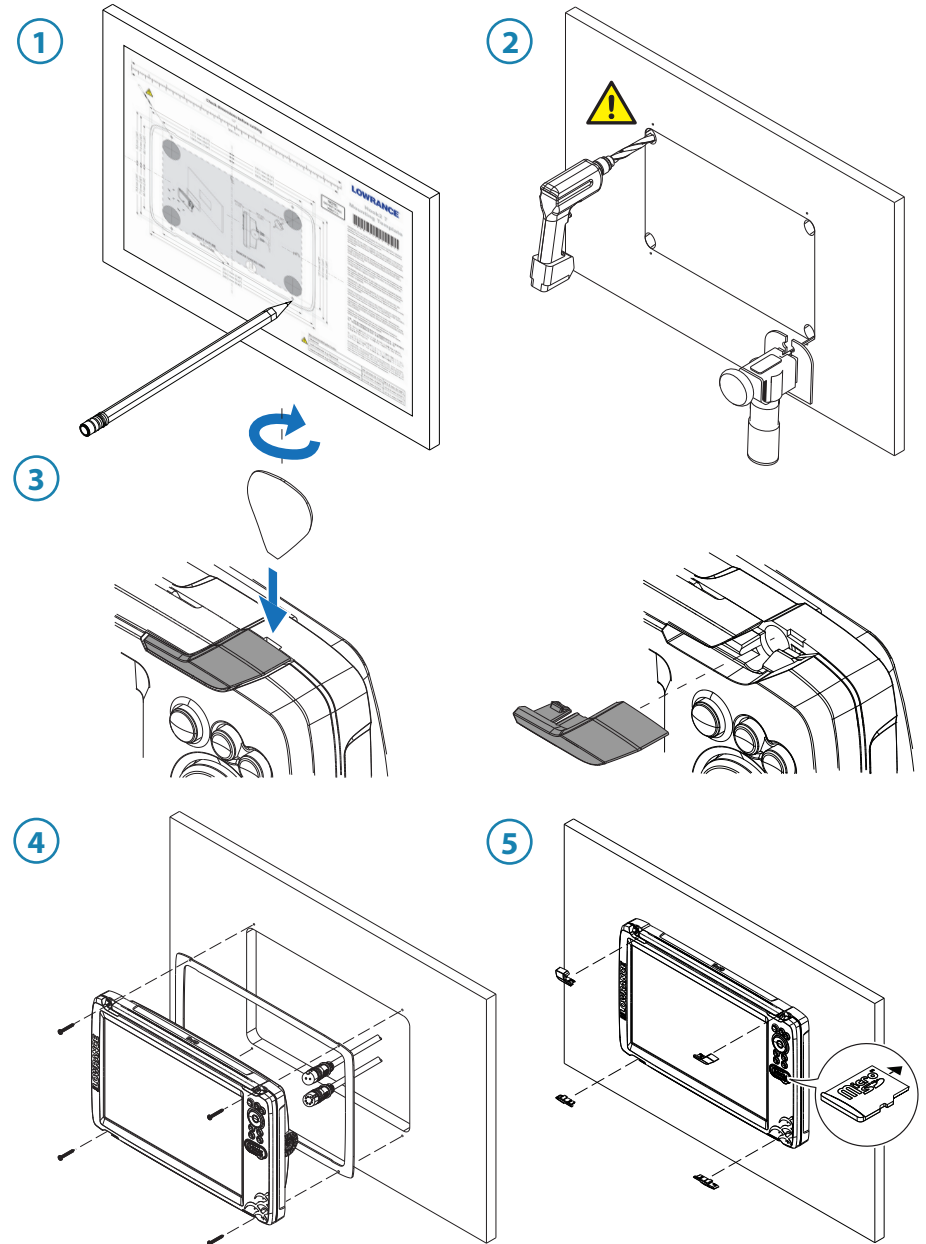
Bracket mounting




 Recommended pilot holes.

| Material | 10# screw |
|--|----------------------|
| Soft materials e.g. Plywood | Ø 3.7-4.0 mm (5/32") |
| Hard materials e.g. Fiberglass, Acrylic, Hardwoods | Ø 4.1-4.7 mm (3/16") |

Panel mounting



 See panel mounting template for drilling and cutting details.
Panel mounting kit is sold separately.